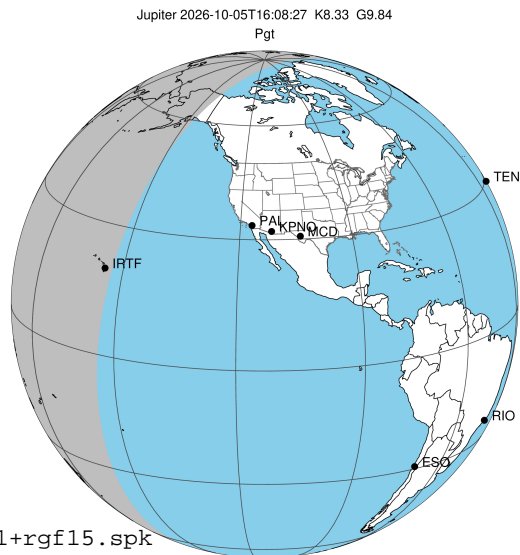


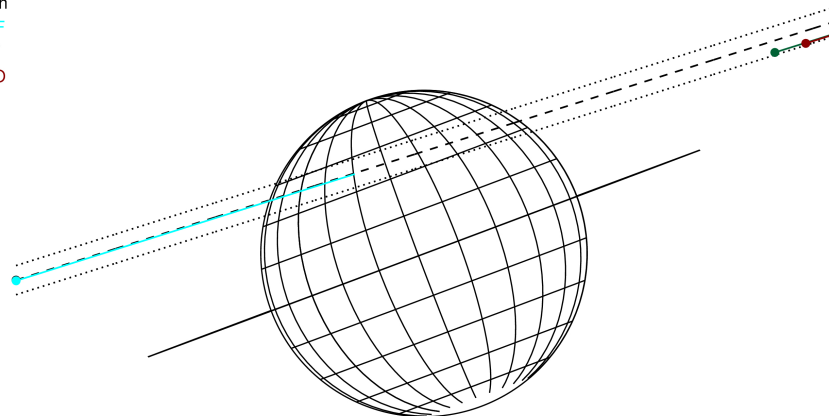
target : Jupiter  
 target radius (km) : 71492.00  
 C/A epoch : 2026-10-05T16:08:27.310  
 Event type : Pgt  
 : Jupiter occs: geocentric, topocentric  
 : Not a ringed target  
 Gaia source ID : 618983681608799744  
 2Mass ID (if available) : 09303546+1522530

Jupiter 2026-10-05T16:08:27 K8.33 G9.84 Pgt

ICRS Star Coord at Epoch: 09h 30m 35.35459s +15:22:51.44525s  
 RUWE (>1.4 is poor) : 3.37  
 K magnitude : 8.328  
 G magnitude : 9.844  
 RP magnitude : 9.338  
 BP magnitude : 10.174  
 DUPflag : 0  
 Distance (au) : 5.865  
 f0 (km) : 0.00  
 g0 (km) : 0.00  
 skyplane vel. (km/s) : 30.51  
 Sun-Target sep (deg) : 52.03  
 Sun-Moon sep (deg) : 10.45  
 B (ring opening deg) : 0.07  
 PA of pole (deg) : 20.54  
 Pole direction: RA (deg): 268.05765  
 Dec (deg): 64.49667  
 C/A sky separation (") : 10.035  
 C/A sky separation (km) : 42686.5  
 NAIF SPICE kernels : RAJobs\_U111+rgf15.spk



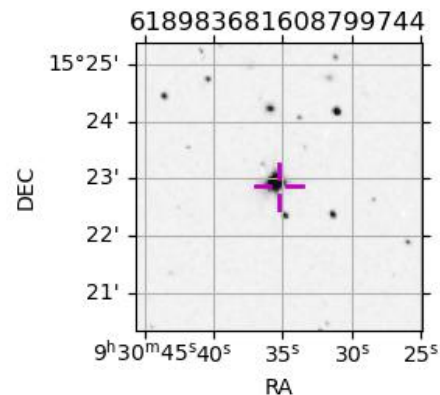
Earth  
 IRTF  
 AAT  
 MSO



2026-10-05T16:08:27.3100 α: 09 30 35.3546 δ: +15 22 51.445 C/A \*\*\*\*\* PA 197.53 deg v\_sky +30.51 km/s D 05.86 AU  
 Credit: Styled after SORA/Lucky Star

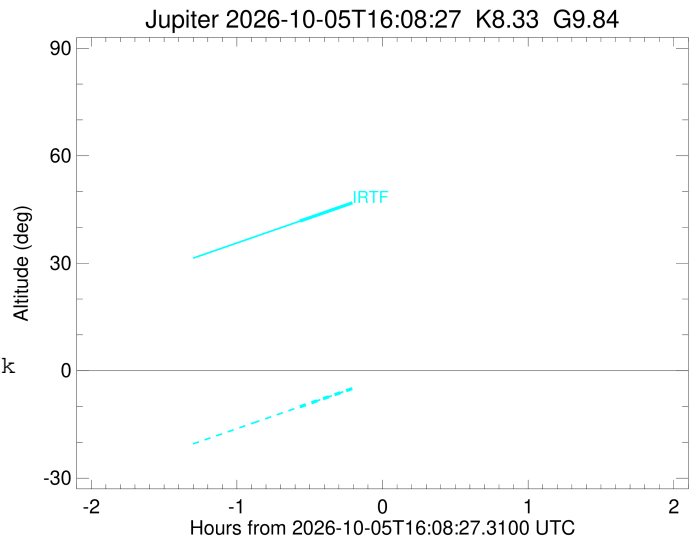
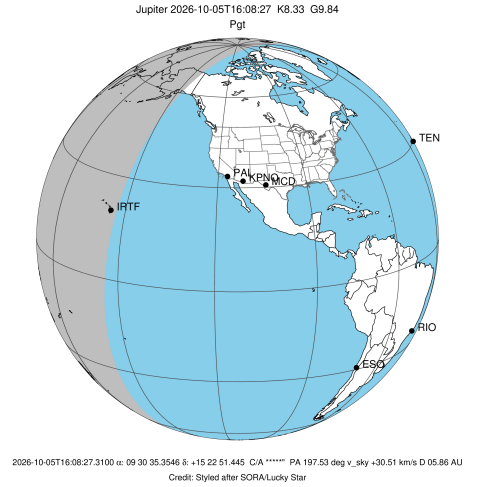
Observable events with sun below -5 deg and altitude above 5 deg

Obs	Location	lat	Elon	Target	Observed Events Interval	OCode
PIC	Pic du Midi	42.9	0.1			Pnn
PAL	Palomar Mt (200")	33.4	243.1			Pnn
PMO	Purple Mtn Obs. Nanking	32.1	118.8			Pnn
KPNO	Kitt Peak Natl Obs	32.0	248.4			Pnn
MCD	McDonald Obs. 2.7m	30.7	256.0			Pnn
TEN	Teide Obs./Tenerife	28.3	343.5			Pnn
IRTF	Mauna Kea/IRTF	19.8	204.5	+	OCT 05 15:34 - OCT 05 15:34	Pin
KAV	Kavalur Observatory	12.6	78.8			Pnn
RIO	Rio de Janeiro	-22.9	316.8			Pnn
ESO	European Southern Obs. (3.6m)	-29.3	289.3			Pnn
AAT	Siding Spring (AAT)	-31.3	149.1			Pnn
SAAO	So. Afr. Astro. Obs. (Sutherland)	-32.4	20.8			Pnn
MSO	Mt. Stromlo Observatory	-35.3	149.0			Pnn



```

target                : Jupiter
target radius (km)   : 71492.00
C/A epoch             : 2026-10-05T16:06:10.210
Event type            : Pgt
: Jupiter occs: geocentric, topocentric
: Not a ringed target
Observer code         : IRTF
Location              : Mauna Kea/IRTF
Latitude (deg)       : 19.82622
E. Longitude (deg)   : 204.52800
Altitude (km)        : 4.168
Gaia source ID       : 618983681608799744
2Mass ID (if available) : 09303546+1522530
ICRS Star Coord at Epoch: 09h 30m 35.35459s +15:22:51.44525s
RUWE (>1.4 is poor) : 3.37
K magnitude           : 8.328
G magnitude           : 9.844
RP magnitude          : 9.338
BP magnitude          : 10.174
DUPflag              : 0
Distance (au)        : 5.865
f0 (km)              : 0.00
g0 (km)              : 0.00
skyplane vel. (km/s) : 30.51
Sun-Target sep (deg) : 52.03
Sun-Moon sep (deg)   : 9.97
B (ring opening deg) : 0.07
PA of pole (deg)     : 20.54
Pole direction: RA (deg): 268.05765
Dec (deg): 64.49667
C/A sky separation (") : 9.950
C/A sky separation (km) : 42324.3
NAIF SPICE kernels   : RAJobs_U111+rgf15.spk
URKALLv1.spk
naif0012.tls
nep097.bsp
nep101.bsp
sat4401.bsp
de440.bsp
earth_720101_070426.bpc
jup365.bsp
urall6.bsp
IAU_SATURN_for_RINGFIT.tpc
pck00010.tpc
earth_200101_990628_predict.bpc
uranus_ringframes_rfrench20220627_v1.tf
neptune_ringframes_rfrench20220702a_v1.tf
earth_flat_IAU.spk
    
```



x: target alt < 5.0 deg or sun > -5.0 deg

Target	I/E	UTC	alt	alt-sun	radius	lat-geo	lat-geodetic
Jupiter	I	2026-10-05T15:34:23.294	41.74	-10.09	71492.0	39.30	43.00
Jupiter	E	2026-10-05T16:37:59.944	56.74	4.84x	71492.0	33.35	36.88